

HOW TO PROPERLY MEASURE

Take measurements from inside your house. Then write down measurements in the handy Measure Form (pg.2).

Record measurements as **Width x Height** with the first number you enter being width, the second being height.

EZ Windows
Measuring Form
Form to help gather your window sizes
ezwindows.com

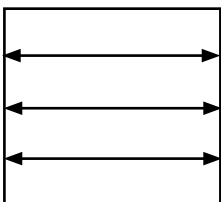
Location (floor)	Room Name	Width	Height	Window Style
Living Room		36"	48"	Double Hung

That's important so that there are no mistakes in ordering and manufacturing.

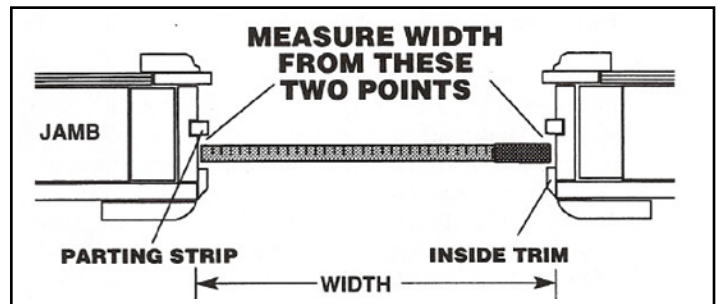
Write down all measurements as $\frac{1}{4}$, $\frac{1}{2}$, $\frac{3}{4}$ or full inch measurements.

To be sure of accuracy, subtract $\frac{1}{4}$ " from the width and $\frac{1}{2}$ " height measurements from your rough opening. For example, if your rough opening is 36" x 54" make your order size 35 $\frac{3}{4}$ " x 53 $\frac{1}{2}$ ".

TO MEASURE WIDTH



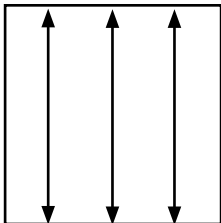
To find the width, measure from the inside of the jamb on one side of the window to the inside of the jamb on the other side of the window.



Horizontal cutaway view.

Measure at the bottom, middle and top of the window. Use the narrowest measurement for the width of your replacement window.

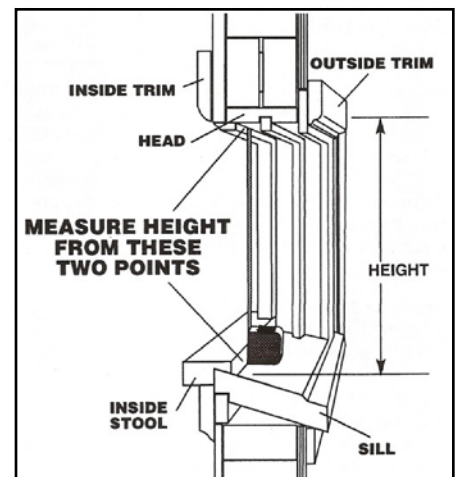
TO MEASURE HEIGHT



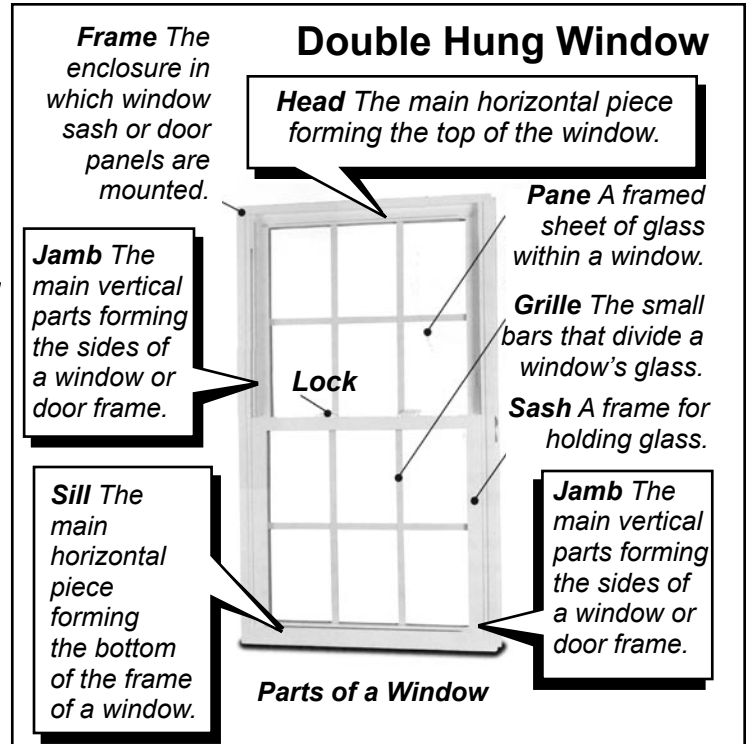
Start to measure from the top of the sill to the bottom of the head.

Take 3 measurements, from the left, the middle and right side of the window. You will use the shortest measurement for the height of your replacement

window to be sure that the new replacement will fit inside the window frame.



Vertical cutaway view.



For measurements you will be using head, sill, and left and right jambs.

For additional information on measuring windows view our Measurement Video Tutorial on **EZWindowsOnline.com**

EZ Measure Form

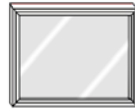
Record your measurements in the form below.

www.EZWindowsOnline.com

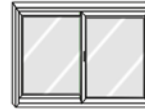
Some Common Window Styles



Double Hung



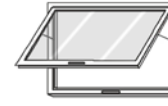
Fixed / Picture



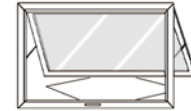
2 Lite or 3 Lite Slider



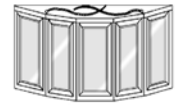
Casement



Hopper



Awning



Bay / Bow

Location (floor) and Room Name	Width	Height	Window Style	Interior Color	Exterior Color	EZ Products				Exterior Trim Color	Grille
						Available options at EZWindowsOnline.com					
						Saver	Value	Premium	Extreme		
<i>Example: 1st Floor Living Room</i>	36	48	<i>Double Hung</i>	<i>White</i>	<i>White</i>			✓		<i>Dark Red</i>	<i>Georgian Two-Tone</i>
1.											
2.											
3.											
4.											
5.											
6.											
7.											
8.											
9.											
10.											
11.											
12.											

Special Notes:
